

Parts Manual

CBX23 / CBX25 Series & CB-2300 Series

Fixed Frame Top Mount Trailer Suspensions



Contents, Warranty & Contact Information 3
 Section 1 - CBX23 Model Identification 4
 Section 2 - CBX23 Model Nomenclature 4
 Section 3 - CBX25 Model Identification 5
 Section 4 - CBX25 Model Nomenclature 5
 Section 5 - CB-2300 Model Identification 6
 Section 6 - CB-2300 Model Nomenclature 6
 Section 7 - Additional Model Identification 7
 Components Exploded View 8
 Components Parts List 9

Service Repair Kits (SRK)
 SwingAlign™ Frame Bracket Replacement Kits 10
 Fixed Frame Bracket Replacement Kits 11
 Pivot Connection Replacement Kit 12
 SwingAlign™ Replacement Kit 12
 Pivot Connection Service Repair Kit 12
 Air Control Components
 PR Valve 13
 Adjustable Height Control Linkage 13
 Pressure Protection Valve 13
 Beam, Axle & End Brake Components 14

Warranty

Refer to the complete warranty for the country and product in which the parts will be used. A copy of the written warranty is included with the product and can be found on the SAF-HOLLAND web site.

Original Parts

To ensure optimal performance of SAF-HOLLAND Trailer Suspensions and to prevent voiding any warranty coverage; we highly recommend the use of only SAF-HOLLAND Original Parts.

Technical Support

A list of SAF-HOLLAND technical support locations to supply SAF-HOLLAND Original Parts can be found online at the SAF-HOLLAND web site or you can contact our customer service group.

Updates to this manual will be published as necessary online.

SAF-HOLLAND USA

888.396.6501 · Fax 800.356.3929
www.safholland.us

SAF-HOLLAND CANADA

519.537.3494 · Fax 800.565.7753

WESTERN CANADA

604.574.7491 · Fax 604.574.0244
www.safholland.ca

SAF-HOLLAND MEXICO

52.1.55.545668641 · Fax 52.55.58162230
www.safholland.mx

1. CBX23 Model Identification

The CBX23 Suspension Serial Tag is located on the curb-side frame bracket (**Figure 2**).

NOTE: This manual applies to the suspension models listed on the front cover. However, we urge you to determine your specific model number, write that information below and refer to it when obtaining information or replacement parts.

2. CBX23 Model Nomenclature

The sample tag shown will help you interpret the information on the SAF-HOLLAND, Inc. serial number tag. The model number is on the first line along with the suspension capacity. The second line contains the part number and the serial number (**Figure 3**).

Figure 2

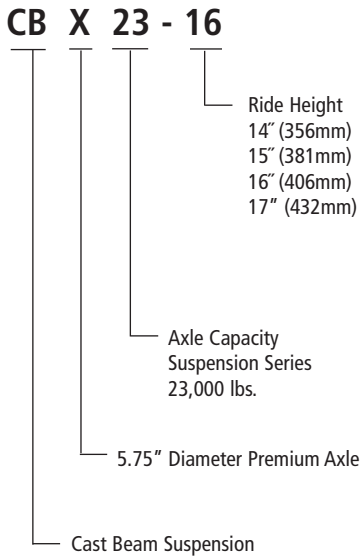
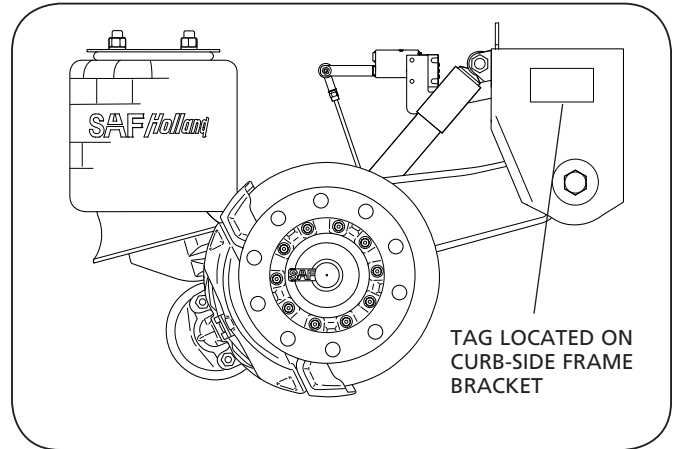
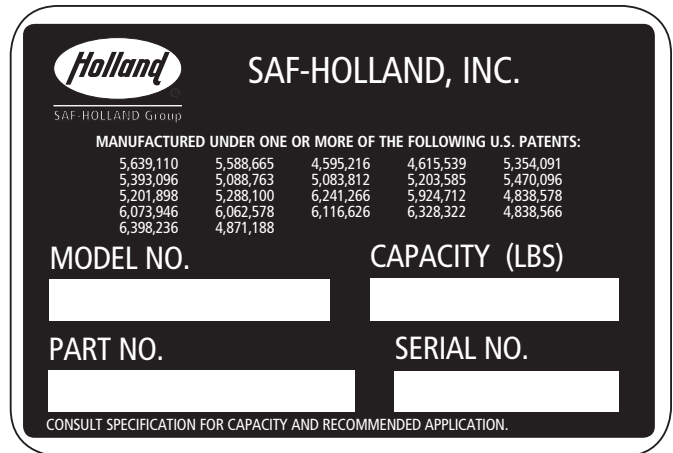


Figure 3



3. CBX25 Model Identification

The CBX25 Suspension Serial Tag is located on the curb-side frame bracket (**Figure 4**).

NOTE: This manual applies to the suspension models listed on the front cover. However, we urge you to determine your specific model number, write that information below and refer to it when obtaining information or replacement parts.

4. CBX25 Model Nomenclature

The sample tag shown will help you interpret the information on the SAF-HOLLAND, Inc. serial number tag. The model number is on the first line along with the suspension capacity. The second line contains the part number and the serial number (**Figure 5**).

Figure 4

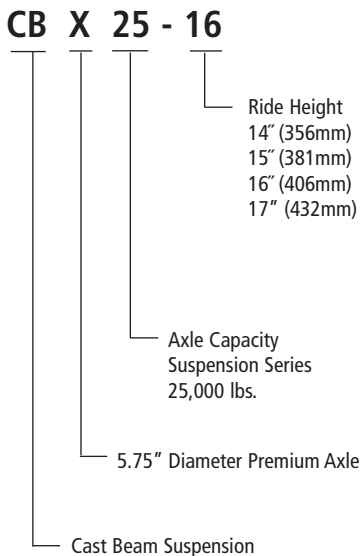
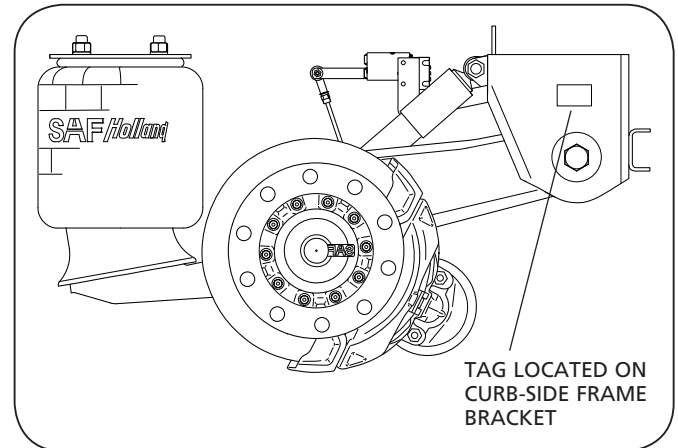
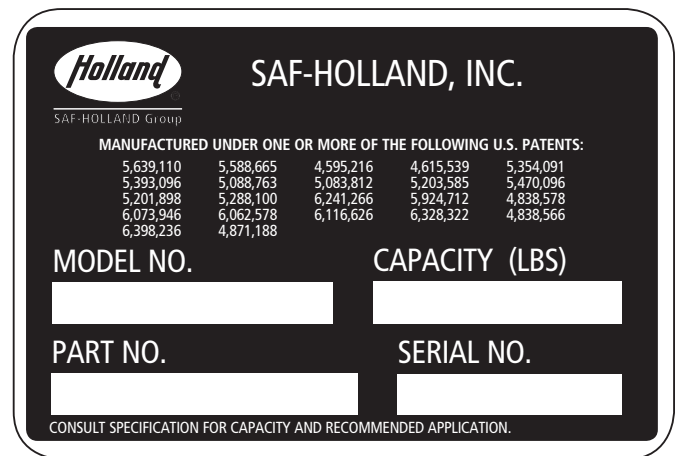


Figure 5

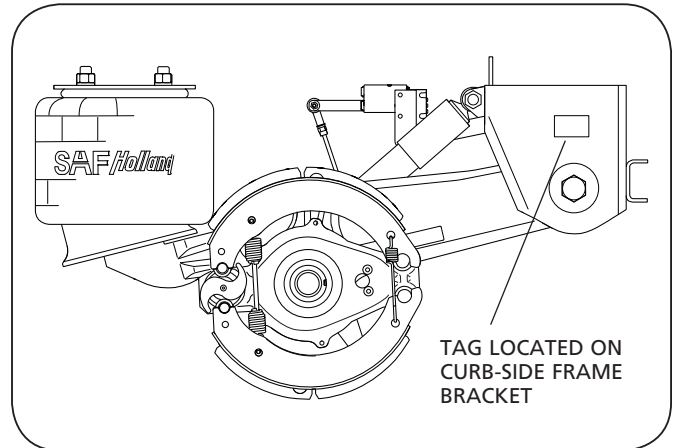


5. CB-2300 Model Identification

The CB-2300 Suspension Serial Tag is located on the curb-side frame bracket (**Figure 6**).

NOTE: This manual applies to the suspension models listed on the front cover. However, we urge you to determine your specific model number, write that information below and refer to it when obtaining information or replacement parts.

Figure 6



6. CB-2300 Model Nomenclature

The sample tag shown will help you interpret the information on the SAF-HOLLAND, Inc. serial number tag. The model number is on the first line along with the suspension capacity. The second line contains the part number and the serial number (**Figure 7**).

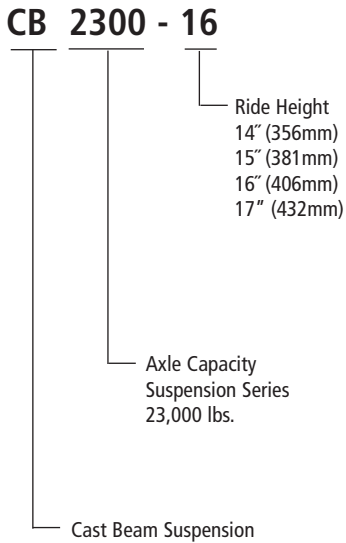
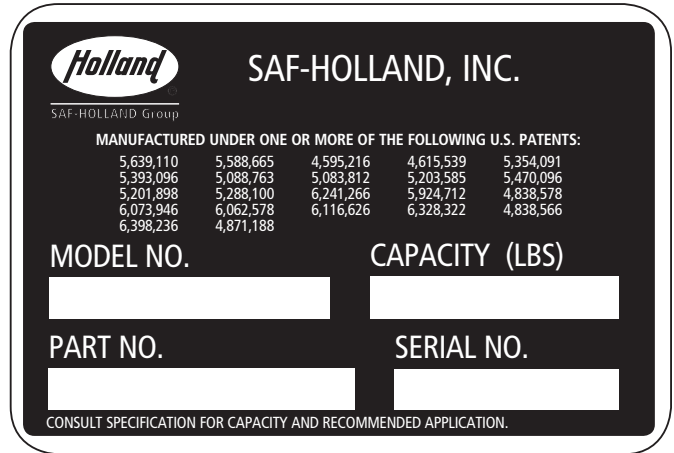


Figure 7



7. Additional Model Identification

If the model number on the serial tag of your suspension is not legible or the serial tag is damaged or missing, the air spring piston height can be used to identify your suspension model:

1. Determine whether your suspension is a CBX23/CB-2300 or a CBX25 by measuring the length of the equalizing beam (**Figure 7**).
2. Measure the height of the air spring piston (**Figure 8 Dimension B**).
2. Compare the height measured in Step 1 with the measurements in **Table 1 & Table 2** to determine your model number. If you have a CBX23/CB-2300 refer to **Table 1**, if you have a CBX25 refer to **Table 2**.

Figure 7

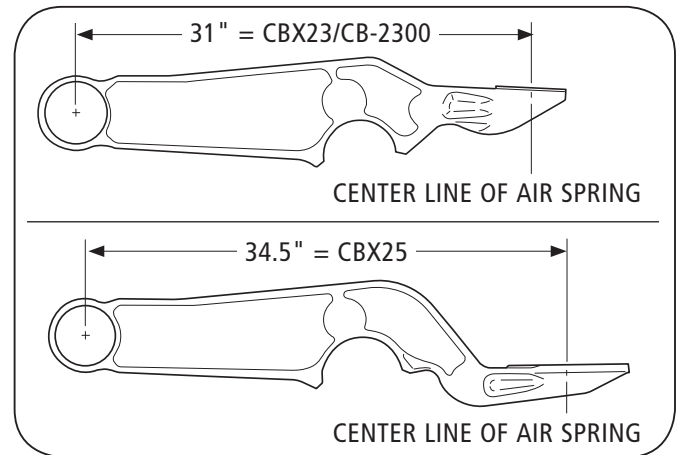


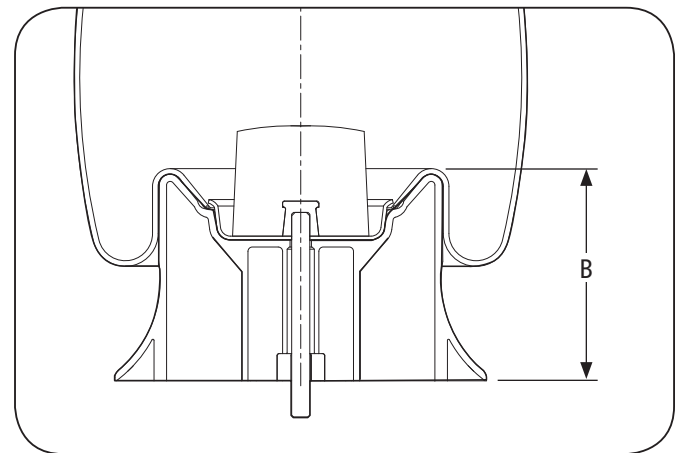
Table 1: CBX23/CB-2300 Models

PISTON HEIGHT "B"	MODEL NO.
3.77"	CB-2300-14 CBX23-14
4.76"	CB-2300-15 CBX23-15
5.69"	CB-2300-16 / -17 CBX23-16 / -17

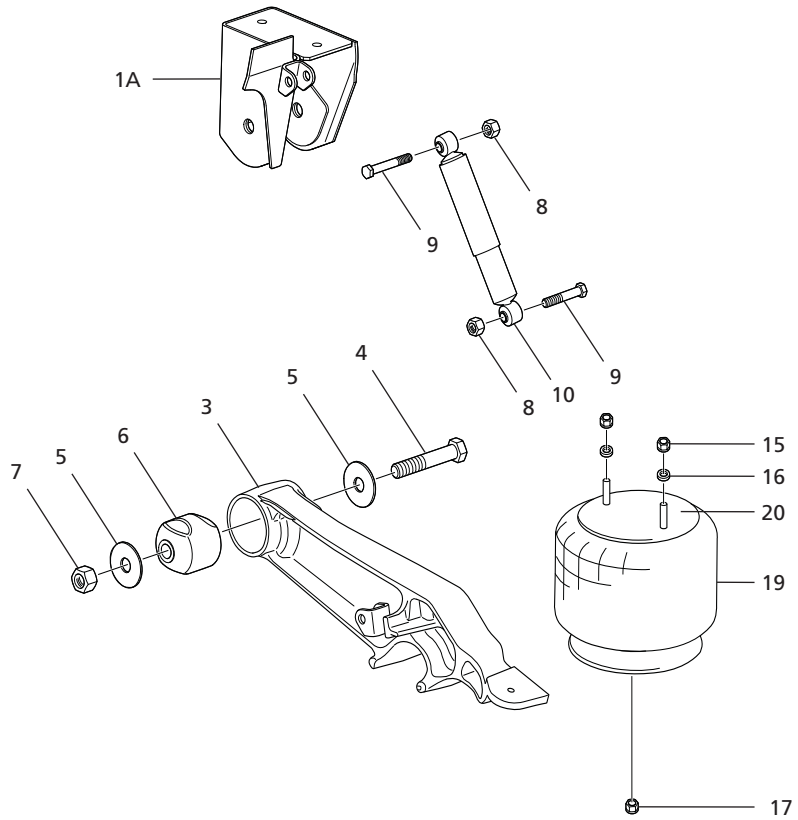
Table 2: CBX25 Models

PISTON HEIGHT "B"	MODEL NO.
5.59"	CBX25-14 / -15
7.62"	CBX25-16 / -17

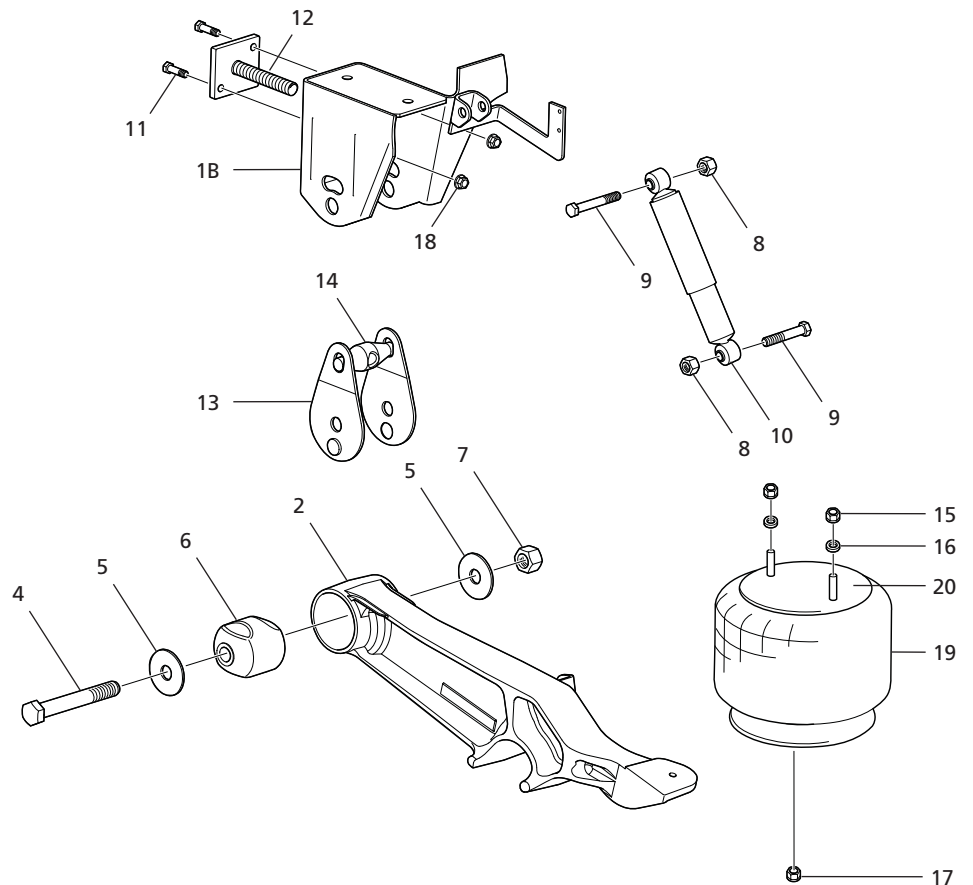
Figure 8



Curb Side Components



Road Side Components



CB-2300 & CBX23 Parts List

ITEM	DESCRIPTION	CB2300-14 CBX23-14	CB2300-15 CBX23-15	CB2300-16 CBX23-16	CB2300-17 CBX23-17	QTY.
1A*†	Frame Bracket (Welded) - with integral brace	48100465	48100466	48100467	48100467	1
1B*†	Frame Bracket (SwingAlign) - with integral brace	48100462	48100464	48100463	48100463	1
2	Equalizing Beam LH (roadside - bushed beam only)	Not Available	Not Available	Not Available	Not Available	-
3	Equalizing Beam RH (curbside - bushed beam only)	Not Available	Not Available	Not Available	Not Available	-
4*	Pivot Bolt 1 1/8"-7 x 8.0" LG GR 8	93201070	93201070	93201070	93201070	2
5*	Pivot Connection Washer	93600553	93600553	93600553	93600553	4
6*	Bushing	90008247	90008247	90008247	90008247	2
7*	Hex Lock Nut 1 1/8"-7	93400506	93400506	93400506	93400506	2
8	Hex Lock Nut 3/4"-10	93400492	93400492	93400492	93400492	4
9	Hex Bolt 3/4"-10 x 3.50" GR 5	93006035	93006035	93006035	93006035	4
10†	Shock Absorber	90044868	90045381	90045298	90045298	2
11	Hex Bolt 1/2"-13 x 1 3/4"	XB-HHC-001-33	XB-HHC-001-33	XB-HHC-001-33	XB-HHC-001-33	2
12	Threaded Rod Assembly	90548007	90548007	90548007	90548007	1
13	Alignment Plate	90531339	90531339	90531339	90531339	2
14	SwingAlign Yoke	90045491	90045491	90045491	90045491	1
15	Hex Lock Nut 3/4"-16	93400149	93400149	93400149	93400149	4
16	Washer 3/4"	93600077	93600077	93600077	93600077	4
17	Flange Nut 1/2"-13	93400623	93400623	93400623	93400623	2
18	Hex Nut - 1/2" -13	93400136	93400136	93400136	93400136	2
19	Air Spring	90557330	90557331	90557332	90557332	2
20	Plate, Mounting, Air Spring	90034247	90034247	90034247	90034247	2

CB-2300 & CBX23 Parts List

ITEM	DESCRIPTION	CBX25-14	CBX25-15	CBX25-16	CBX25-17	QTY.
1A*†	Frame Bracket (Welded) - with integral brace	48100465	48100466	48100467	48100467	1
1B*†	Frame Bracket (SwingAlign) - with integral brace	48100462	48100464	48100463	48100463	1
2	Equalizing Beam LH (roadside - bushed beam only)	Not Available	Not Available	Not Available	Not Available	-
3	Equalizing Beam RH (curbside - bushed beam only)	Not Available	Not Available	Not Available	Not Available	-
4*	Pivot Bolt 1 1/8"-7 x 8.0" LG GR 8	93201070	93201070	93201070	93201070	2
5*	Pivot Connection Washer	93600553	93600553	93600553	93600553	4
6*	Bushing	90008247	90008247	90008247	90008247	2
7*	Hex Lock Nut 1 1/8"-7	93400506	93400506	93400506	93400506	2
8	Hex Lock Nut 3/4"-10	93400492	93400492	93400492	93400492	4
9	Hex Bolt 3/4"-10 x 3.50" GR 5	93006035	93006035	93006035	93006035	4
10†	Shock Absorber	90045607	90045608	90045040	90045040	2
11	Hex Bolt 1/2"-13 x 1 3/4"	XB-HHC-001-33	XB-HHC-001-33	XB-HHC-001-33	XB-HHC-001-33	2
12	Threaded Rod Assembly	90548007	90548007	90548007	90548007	1
13	Alignment Plate	90531339	90531339	90531339	90531339	2
14	SwingAlign Yoke	90045491	90045491	90045491	90045491	1
15	Hex Lock Nut 3/4"-16	93400149	93400149	93400149	93400149	4
16	Washer 3/4"	93600077	93600077	93600077	93600077	4
17	Flange Nut 1/2"-13	93400623	93400623	93400623	93400623	2
18	Hex Nut - 1/2" -13	93400136	93400136	93400136	93400136	2
19	Air Spring	90557376	90557376	90557377	90557377	2
20	Plate, Mounting, Air Spring	90034247	90034247	90034247	90034247	2

* Replacement components should be purchased in Service Repair Kits listed on Page 10.

† For a non-standard suspension, contact SAF-HOLLAND Customer Service (1-888-396-6501) for frame brackets and shock absorber part numbers.

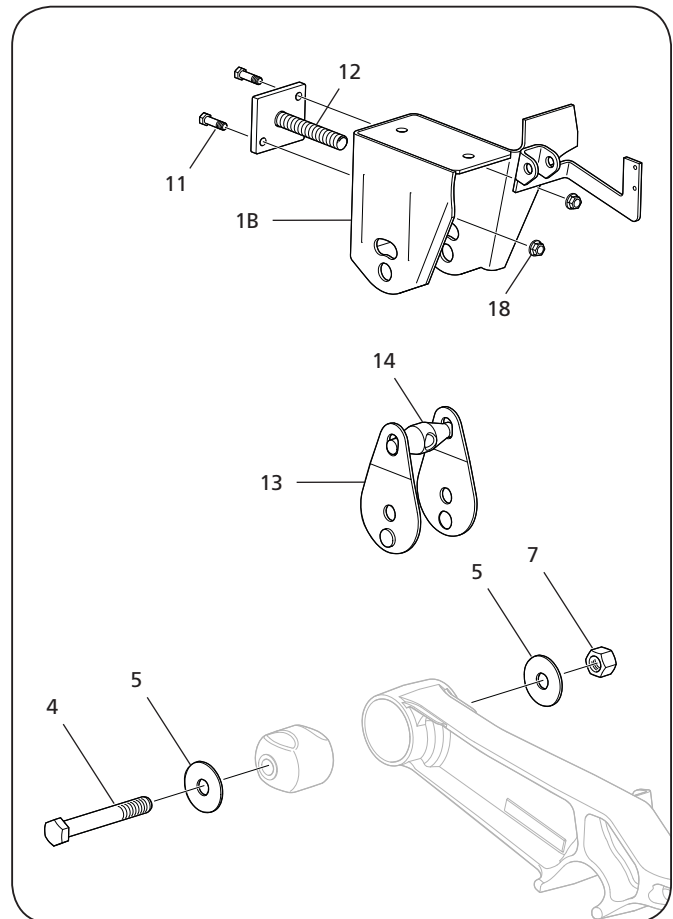
NOTE: When ordering Service Repair Kits, all necessary components to complete an axle installation are included.

SwingAlign™ Frame Bracket Replacement Kits

14" Ride Height:
Part Number: 48100462

SRK-598

ITEM	PART NO.	DESCRIPTION	QTY.
4	93201070	Rod Bolt 1 1/8" - 7 x 8"	2
5	93600553	Washer	4
7	93400506	Lock Nut 1 1/8" - 7	2
1B	90521823	Frame Bracket, Roadside	1
12	90548007	Threaded Rod Assembly	1
11	XB-HHC-001-33	Bolt, Hex 1/2" - 13 x 1 3/4"	2
18	93400136	Nut, Hex 1/2" - 13	2
14	90045491	SwingAlign™ Yoke	1
13	90531 339	Alignment Plate	2



15" Ride Height:
Part Number: 48100464

SRK-600

ITEM	PART NO.	DESCRIPTION	QTY.
4	93201070	Rod Bolt 1 1/8" - 7 x 8"	2
5	93600553	Washer	4
7	93400506	Lock Nut 1 1/8" - 7	2
1B	90521824	Frame Bracket, Roadside	1
12	90548007	Threaded Rod Assembly	1
11	XB-HHC-001-33	Bolt, Hex 1/2" - 13 x 1 3/4"	2
18	93400136	Nut, Hex 1/2" - 13	2
14	90045491	SwingAlign™ Yoke	1
13	90531339	Alignment Plate	2

16" & 17" Ride Height:
Part Number: 48100463

SRK-599

ITEM	PART NO.	DESCRIPTION	QTY.
4	93201070	Rod Bolt 1 1/8" - 7 x 8"	2
5	93600553	Washer	4
7	93400506	Lock Nut 1 1/8" - 7	2
1B	90521825	Frame Bracket, Roadside	1
12	90548007	Threaded Rod Assembly	1
11	XB-HHC-001-33	Bolt, Hex 1/2" - 13 x 1 3/4"	2
18	93400136	Nut, Hex 1/2" - 13	2
14	90045491	SwingAlign™ Yoke	1
13	90531339	Alignment Plate	2

Fixed Frame Bracket Replacement Kits

14" Ride Height: SRK-601
 Part Number: 48100465

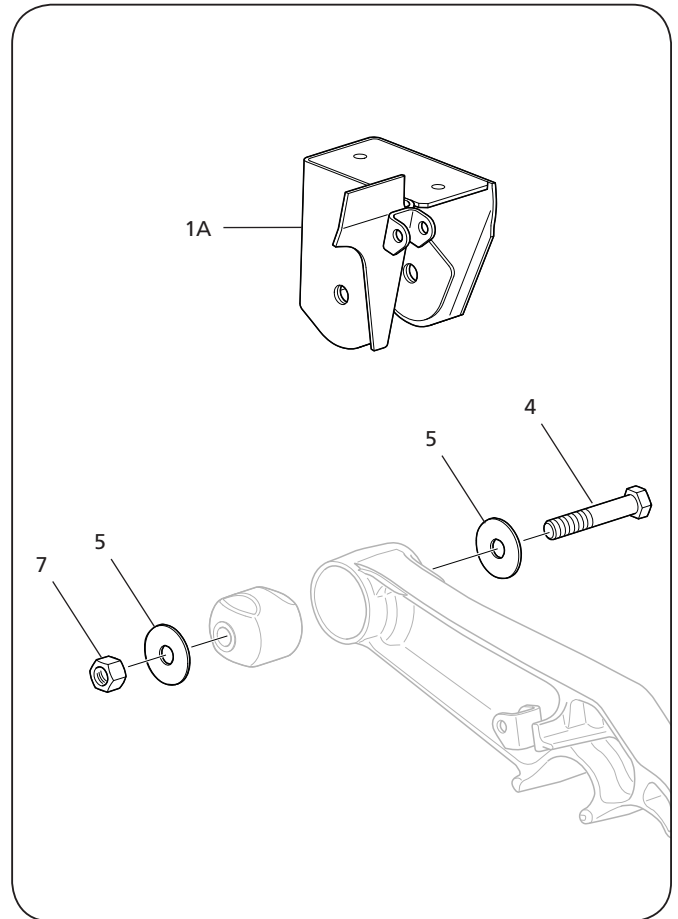
ITEM	PART NO.	DESCRIPTION	QTY.
4	93201070	Rod Bolt 1 1/8" - 7 x 8"	2
5	93600553	Washer	4
1A	90521826	Frame Bracket, Curbside	1
7	93400506	Lock Nut 1 1/8" - 7"	2

15" Ride Height: SRK-602
 Part Number: 48100466

ITEM	PART NO.	DESCRIPTION	QTY.
4	93201070	Rod Bolt 1 1/8" - 7 x 8"	2
5	93600553	Washer	4
1A	90521827	Frame Bracket, Curbside	1
7	93400506	Lock Nut 1 1/8" - 7"	2

16" & 17" Ride Height: SRK-603
 Part Number: 48100467

ITEM	PART NO.	DESCRIPTION	QTY.
4	93201070	Rod Bolt 1 1/8" - 7 x 8"	2
5	93600553	Washer	4
1A	90521828	Frame Bracket, Curbside	1
7	93400506	Lock Nut 1 1/8" - 7"	2

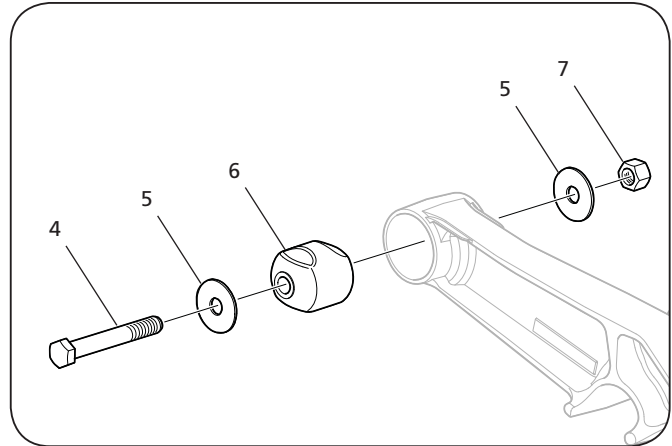


Pivot Connection Replacement Kit

Part Number: 48100394

SRK-530

ITEM	PART NO.	DESCRIPTION	QTY.
4	93201070	Rod Bolt 1 1/8" - 7 x 8"	2
6	90008247	Rubber Bushing	2
7	93400506	Lock Nut 1 1/8" - 7	2
5	93600553	Washer	4

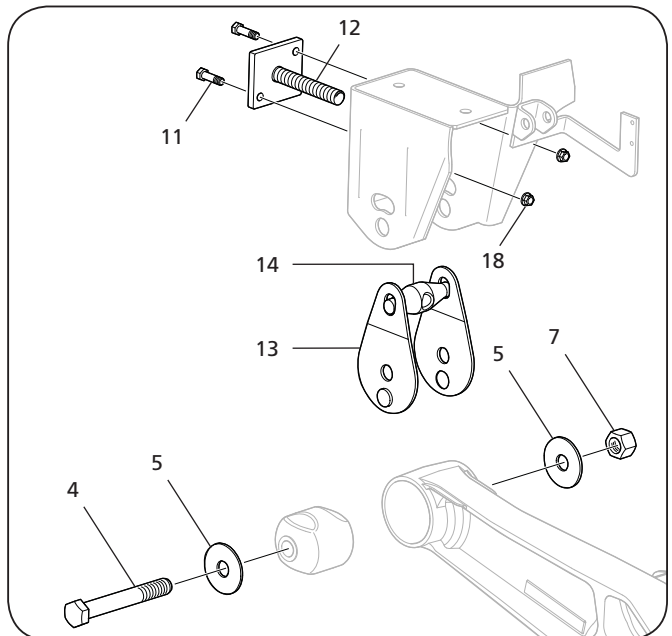


SwingAlign™ Replacement Kit

Part Number: 48100406

SRK-542

ITEM	PART NO.	DESCRIPTION	QTY.
4	93201070	Rod Bolt 1 1/8" - 7 x 8"	2
5	93600553	Washer	4
7	93400506	Lock Nut 1 1/8" - 7	2
12	90548007	Threaded Rod Assembly	1
11	XB-HHC-001-33	Bolt, Hex 1/2" - 13 x 1 3/4"	2
18	93400136	Nut, Hex 1/2" - 13	2
14	90045491	SwingAlign™ Yoke	1
13	90531339	Alignment Plate	2

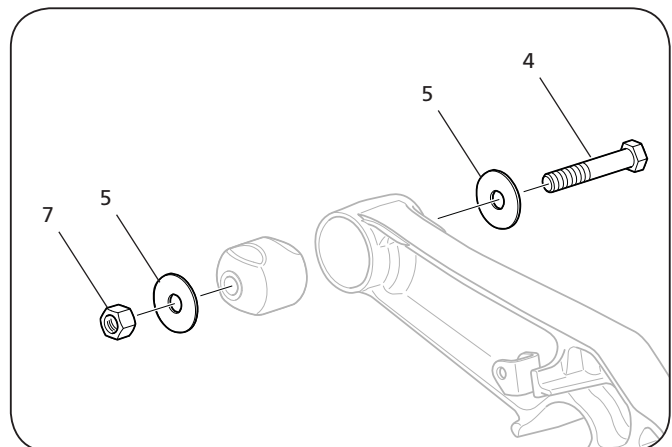


Pivot Connection Service Repair Kit

Part Number: 48100471

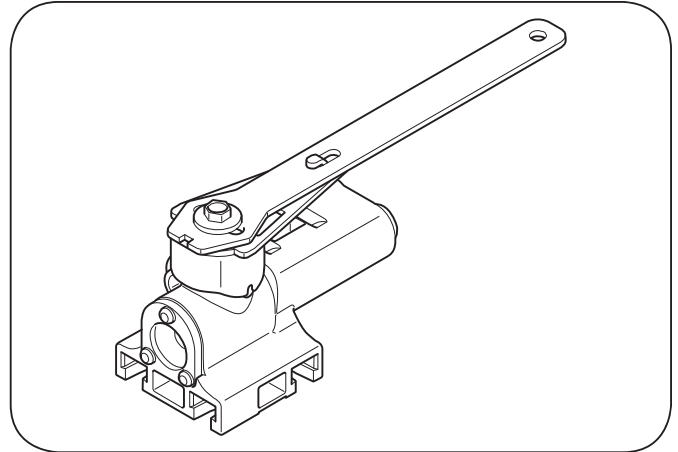
SRK-607

ITEM	PART NO.	DESCRIPTION	QTY.
4	93201070	Pivot Bolt 1 1/8" - 7 x 8" Gr 8	2
7	93400506	Hex Lock Nut 1 1/8" - 7 Gr C	2
5	93600553	Washer	4



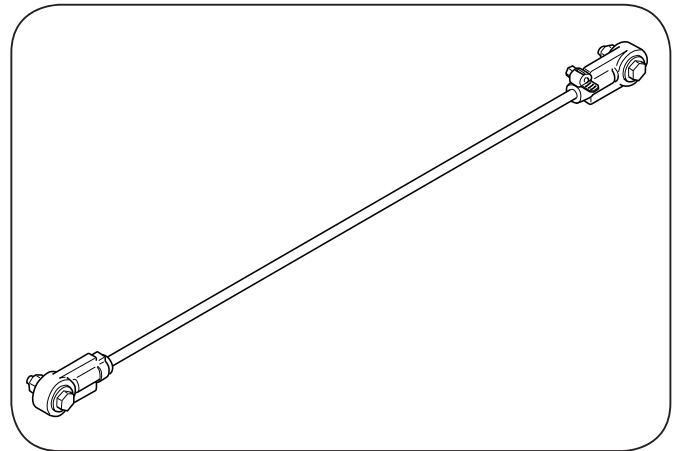
Height Control Valve (HCV)

DESCRIPTION*	PART NO.
Max-Valve™ HCV - No Dump	50860001
Max-Valve™ HCV - Manual Dump	50860002
Max-Valve™ HCV - Automatic Dump	50860003



Adjustable Height Control Linkage

Part Number: 50860006



Pressure Protection Valve

Part Number: 90560109



Beam, Axle & End Brake Components

To order replacement components for beam, axle or end brake components; refer to the Parts Manuals listed below which can be downloaded at www.safholland.us or contact SAF-HOLLAND Customer Service at 888.396.6501.

For Disc Brake Components: **XL-SA10058PM-en-US**

For Drum Brake Components: **XL-TA10058PM-en-US**

NOTE: Pivot Connection Service Repair Kit (SRK-607-48100471) is required when replacing beam, axle or end brake components.

NOTE: For PosiLift Service Repair Kits refer to **XL-AR462**.

NOTE: Equalizing beams are only available as beam and axle assemblies. Contact SAF-HOLLAND Customer Service at 888.396.6501.



From fifth wheel rebuild kits to suspension bushing repair kits, SAF-HOLLAND Original Parts are the same quality components used in the original component assembly.

SAF-HOLLAND Original Parts are tested and designed to provide maximum performance and durability. Will-fits, look-alikes or worse yet counterfeit parts will only limit the performance potential and could possibly void SAF-HOLLAND's warranty. Always be sure to spec SAF-HOLLAND Original Parts when servicing your SAF-HOLLAND product.

SAF-HOLLAND USA • 888.396.6501 • Fax 800.356.3929

www.safholland.us

SAF-HOLLAND CANADA • 519.537.3494 • Fax 800.565.7753

WESTERN CANADA • 604.574.7491 • Fax 604.574.0244

www.safholland.ca

SAF-HOLLAND MEXICO • 52.1.55.545668641 • Fax 52.55.58162230

www.safholland.com.mx

info@safholland.com